

KPI & KP



Type KP and KPI pressure switches

- ◆ Compact design
- ◆ Ideal for panel mounting
- ◆ Vibration proof
- ◆ Long operation life
- ◆ High contact load
- ◆ Ultra short bounce times
- ◆ High pulsation protection
- ◆ CE marked in accordance to EN 60947-4/-5

Technical data	KPI	KP
Media:	Liquid and gases	Gases (for liquids please contact Danfoss)
Media temperature:	-40°C to 100°C	-40°C to 100°C
Ambient temperature:	-40°C to 65°C (reduced life up to 80°C)	-40°C to 65°C (reduced life up to 80°C)
Enclosure:	IP30; with top cover or protection cap: IP44	IP30; with top cover or protection cap: IP44
Electrical connection:	Cable entry for diameters 6 mm to 14 mm	Cable entry for diameters 6 mm to 14 mm
Contact system:	SPDT	SPDT
Contact load:	AC-1 Ohmic: 10 A, 440 V	16 A, 400 V
	AC-3 (motor) 6 A, 440 V	16 A, 400 V
	AC14/15 (coil/transformer) 4 A, 440 V	10 A, 400 V
	DC-13/14 12 W, 220 V	12 W, 220 V
For more information:	See Datasheet DKACT.PD.P10.F	

Ordering – KPI, for liquids and gases

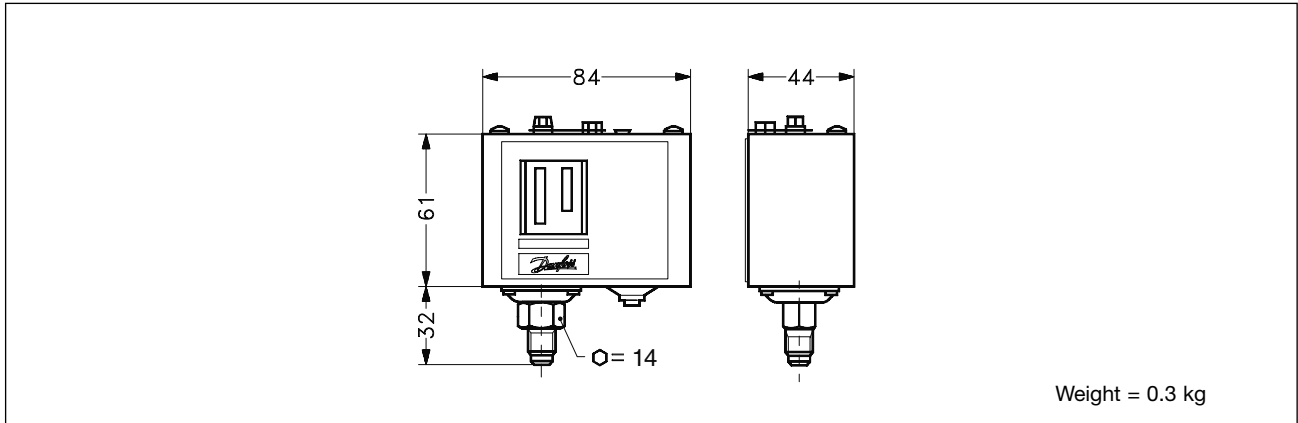
Setting range (rising pressure) (bar)	Adjustable differential (bar)	Permissible operating pressure (bar)	Pressure connection	Type	Code No.
-0.2 to 8	0.4 to 1.5	18	G $\frac{1}{4}$ "A	KPI 35	060-1217
-0.2 to 8	0.5 to 2	18	G $\frac{1}{4}$ "A	KPI 35	060-1219
4 to 12	0.5 to 1.6	18	G $\frac{1}{4}$ "A	KPI 36	060-1189
2 to 12	0.5 to 1.6	18	G $\frac{1}{4}$ "A	KPI 36	060-3169
8 to 28	1.8 to 6	30	G $\frac{1}{4}$ "A	KPI 38	060-5081

Ordering – KP, for gases (and water on a direct connection only – do not use capillary mounting)

-0.2 to 7.5	0.7 to 4.0	17	G $\frac{1}{4}$ "A	KP 35	060-1133
-0.2 to 7.5	0.7 to 4.0	17	G $\frac{1}{4}$ "A	KP 35	060-5047*
2 to 14	0.7 to 4.0	17	G $\frac{1}{4}$ "A	KP 36	060-1108
2 to 14	0.7 to 4.0	17	G $\frac{1}{4}$ "A	KP 36	060-1137*
4 to 12	0.5 to 1.6	17	G $\frac{1}{4}$ "A	KP 36	060-1221
4 to 12	0.5 to 1.6	17	G $\frac{1}{4}$ "A	KP 36	060-1144*

* KP with gold plated contacts (use contact load specification of KPI)

Dimensions and weight



Accessories

Part		Description	Quantity per set	Code No.
Brackets with mounting screws and washers		Wall bracket for KP	10	060-1055
		Angle bracket for KP (not recommended for areas where vibrations occur)	10	060-1056
		4-off screws M4x5 + 4-off washers	1	060-1054
Cable entry		Screwed cable entry Pg 13.5 with special nut. For 6-14 mm cables. A standard Pg 16 screwed cable entry can be used for 6-18 mm cables.	5	060-1059
Top cover		If a bracket is mounted on the backplate of the housing, the KP pressure control will have an IP 44 grade of enclosure. The cover covers the setting spindles.	10	060-1097
Protective cap		Protective cap for KP pressure controls. To protect the unit against rain and humidity. Grade of enclosure: IP44 Material: Polyethylene Max. ambient temperature: +65°C Min. ambient temperature: -40°C	7	060-0031
Sealing screw		For sealing the setting on KP only	20	060-1057

For pressure connection adaptors see page 56