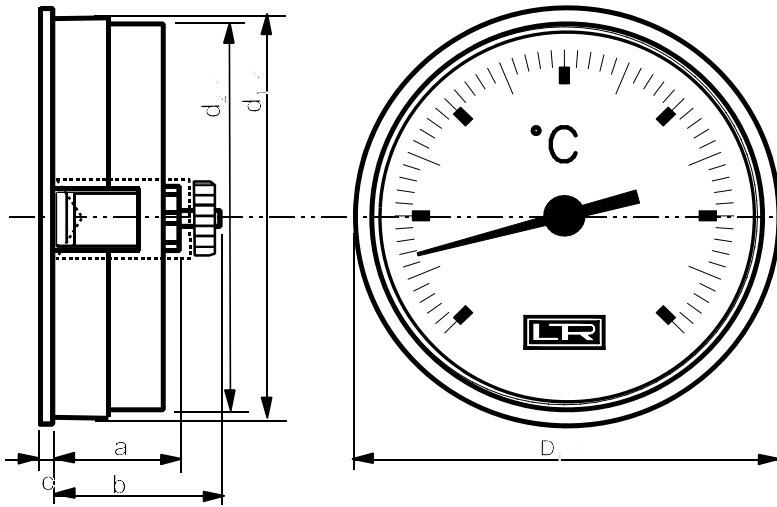
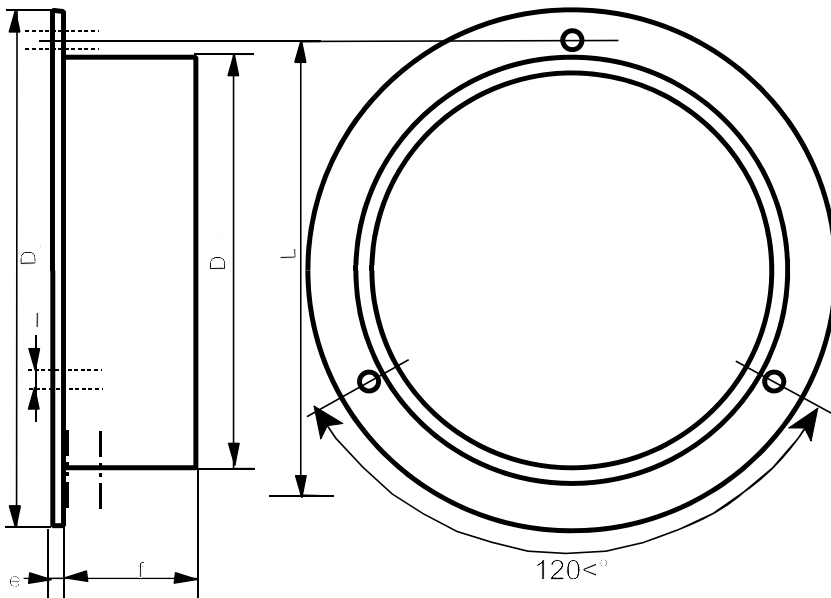


02.22

Thermometer with 3-possibilities to mount



Type	1052 K3	1060 K3	1080 K3	1100 K3
a	23	23	23	23
b	33	33	33	33
c	3	3	3	3
d ₁	52	60	80	98
d ₂	-	--	--	96
D ₁	57,5	65,5	84	103
u-clamp	55 x 26	65 x 26	84 x 26	104x26



Type	1052 K3	1060 K3	1080 K3	1100 K3
e	3	3	3	3
f	25	25	25	25
D ₂	80	80	105	132
D ₃	55	63	83	103
l	4,5	4,5	4,5	4,5
L	74	74	96	116

case:	ABS black, temperature resistant up to +80°C
window:	PVC clear, temperature resistant up to +65°C
measuring system:	single-bourdon-spring system without bi-metal compensation with back adjustment
scale:	white with black prints
scale-length:	approx. 225 [°]
graduation:	1°, 2°, 5° or 10°, depending on range
range:	between -80...+380°C
accuracy:	± 3% at 23°C ambient temperature
pointer:	black
capillary-connection:	back or bottom
options:	- customers logo - coloured scale - chromed frontring - black frontring, PVC - bracket mounting - case colours: red/ yellow/ green/ blue/ white/ black - chromed case