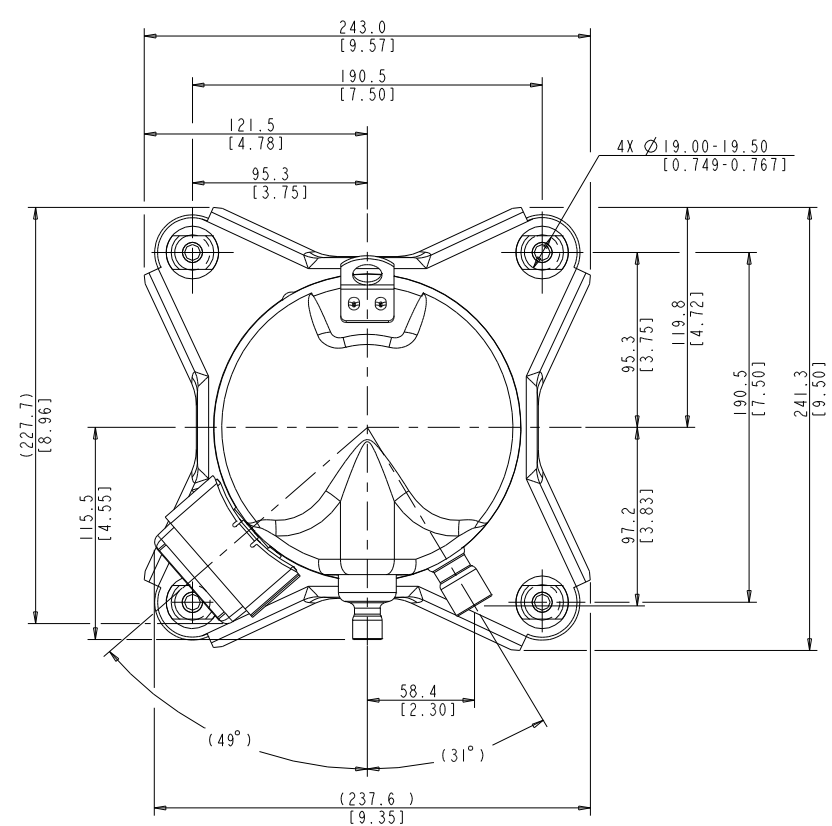
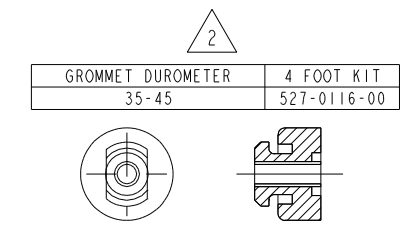


COPELAND CORP. CONFIDENTIAL

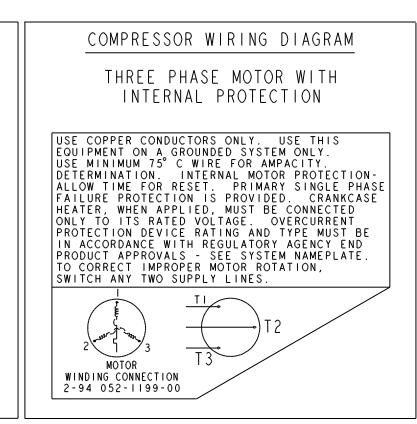
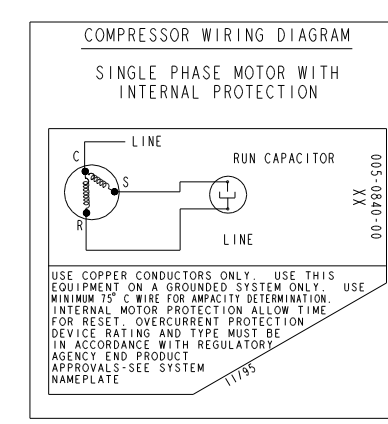
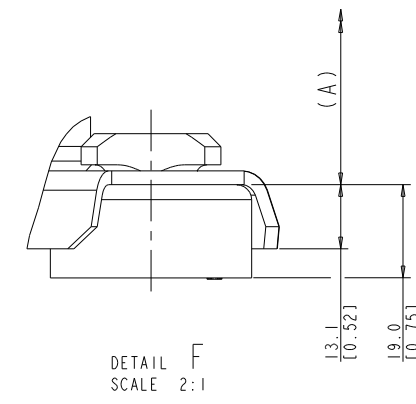
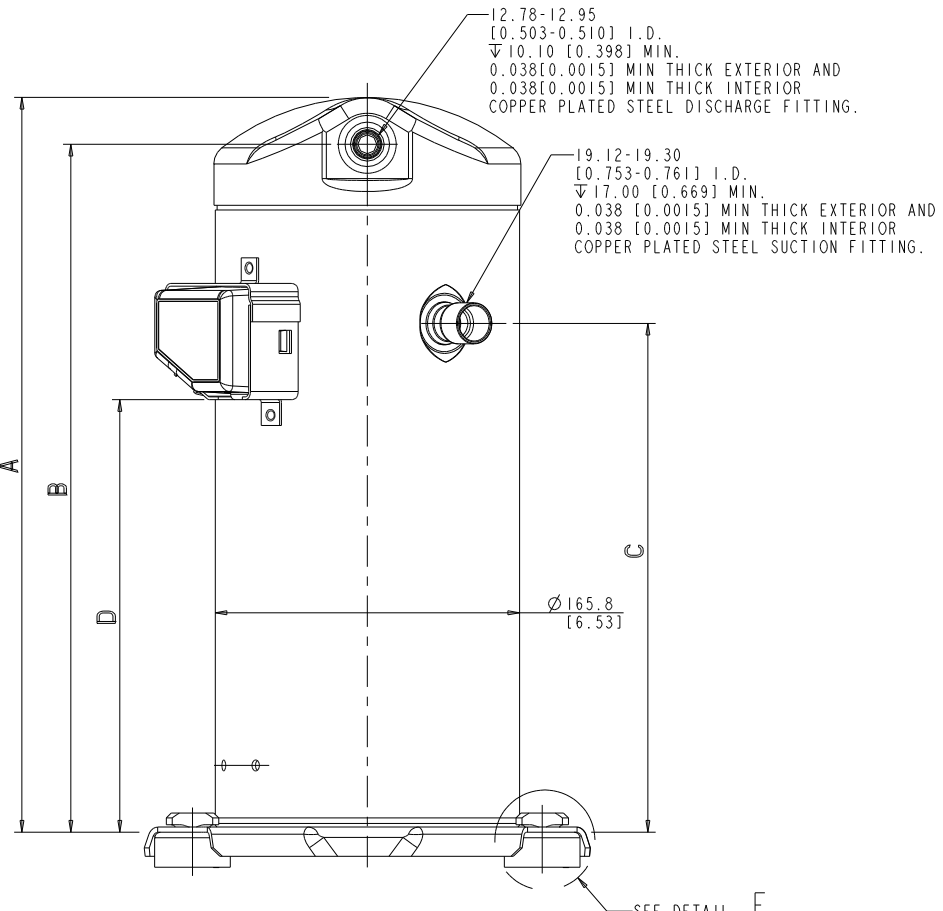
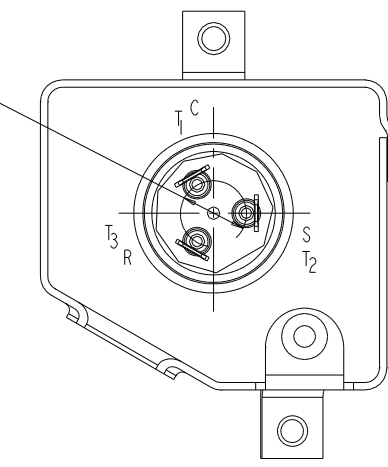


PART NO	MODEL NUMBER	A ±3.0	B	C	D ±3.0	SPECIFICATIONS	
						ES NO.	DESCRIPTION
497-2546-00	ZR40KC-PFV ZR40K3/K3E-PFJ,PFV,TFD,TFE,TF5 ZR42KC-PFV ZR42K3/K3E-PFJ,PFV,TFD,TFE,TF5	400.2 [15.76]	374.6 [14.75]	277.1 [10.91]	235.5 [9.27]	ES92-155	CONVERSION-METRIC
497-2546-01	ZR30KC-PFV ZR30K3/K3E-TFD,TFE ZR32KC-PFV ZR32K3/K3E-PFJ,PFV,TFD,TFE,TFJ ZR34KC-PFV ZR34K3/K3E-PFJ,PFV,TFD,TFE,TF5,TF7 ZR36KC-PFV ZR36K3/K3E-PFJ,PFV,TF5 ZR36K3/K3E-TFD,TFE ZR36K3/K3E-PFJ,PFV,TF5	386.4 [15.21]	360.9 [14.21]	264.4 [10.41]	222.8 [8.77]		
497-2546-02	ZR22K3/K3E-PFJ,PFV,TFD,TF5 ZR24K3/K3E-PFV,PFJ,TFD,TF5 ZR26KC-PFV ZR26K3/K3E-PFV,PFJ,TFD,TF5 ZR28K3/K3E-PFJ,PFV,TF5 ZR28KC-PFV ZR28K3/K3E-TFD	363.8 [14.32]	338.3 [13.32]	244.5 [9.63]	202.9 [7.99]		
497-2546-03	ZR18K3/K3E-PFV	352.8 [13.89]	327.3 [12.89]	233.5 [9.19]	191.9 [7.55]		

NOTES:
 1 ALL TOLERANCES ±1.50 [0.060] UNLESS OTHERWISE SPECIFIED.
 DUE TO ACCUMULATED ASSEMBLY TOLERANCES THE LISTED COMPONENTS MAY VARY FROM THE MOUNTING HOLES AS SHOWN BELOW:
 2 ALL FITTINGS : ±3.0 [0.12] MOUNTING KIT.
 3. TUBE ENDS MUST BE PLUGGED.



Ø13.46 PIN CIRCLE [0.530]
 MODELS: PFV, PFJ, TF5
 Ø17.45 PIN CIRCLE [0.687]
 MODELS: TFD, TFE, TF7



INTERPRET DRAWING PER COPELAND CORP. DESIGN STANDARDS DS2002	INTERPRET DIMENSIONS PER TOLERANCES PER ASME Y14.5M-1994	DISTRIBUTION CODE 10	DIMENSIONS IN MILLIMETERS DIMENSIONS IN BRACKETS () IN INCHES	DATE: MM-DD-YY	THIRD ANGLE PROJECTION	DATE	REV. NO.	REV. NO.	REV. NO.	DATE	BY	CHK'D	
CONFIDENTIALITY NOTICE: THIS DRAWING AND THE INFORMATION CONTAINED HEREIN ARE THE EXCLUSIVE PROPERTY OF COPELAND. IT SHALL BE RETURNED TO COPELAND UPON DEMAND AND SHALL NOT BE REPRODUCED IN WHOLE OR IN PART, DISCLOSED TO ANYONE ELSE OR USED WITHOUT THE WRITTEN CONSENT OF COPELAND.			MATERIAL SPECIFICATION N/A			DRAWN BY OTL			CHECKED BY GDD			APPROVED BY RST	
SUPERSEDES DWG. NO. / REV. NO. 497-2546-00 / 43			SCALE 3:4			DATE 10-22-03			DATE 10-22-03			DATE 10-22-03	
DRAWING NUMBER SHEET 1 OF 1			REF DWG-WELD COMP ASSM			497-2546-00			5			SIZE	